

IPTZ-T230WLT

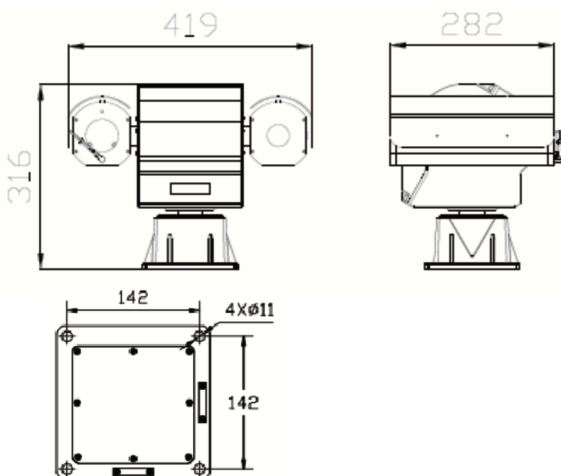
HD1080P Integrated PTZ Camera



Features

- +90° ~ -90° Tilt range, make camera have more view of angle.
- Double-pitch worm gear transmission structure, electronic anti-shake and mechanical anti-loose design. It makes the camera steadier when still, and more precise when move to preset.
- Self-lock on power failure, strong wind resistance, high stability.
- Support a variety of lens presets, zoom adaptive, rotation speed can be automatically adjusted according to the lens zoom factor.
- Worm gear transmission design, horizontal speed up to 60° / s.
- Repeated positioning accuracy of up to $\pm 0.1^\circ$
- The whole machine adopts anti-corrosion material, three-proof treatment, all-weather protection design, IP66 protection grade.
- Widely used for Building Measurement, Geological disaster monitoring, Harbor, Airport, Border, etc.

Dimensions (mm)



Camera	
Focal Length:	6-192mm, 32x optical zoom
Image Sensor:	1/1.8" Sony CMOS
Effective Pixels:	1920(H) x 1080(V), 2 Megapixels
Optical Defog:	Support
Auto Focus:	Support
Minimum Illumination:	Color: 0.002Lux@(F1.2, AGC ON); B/W: 0.0002Lux@(F1.2, AGC ON)
Image Compression:	H.265/H.264/MPEG4/MJPEG 32Kbps~16Mbps, 60Hz 30fps
Imaging Function:	SD card local storage (max 64GB); Intrusion Detection; Line Crossing Detection; Electronic Defog; Auto White Balance; BLC; HLC; WDR; 3D DNR; EIS.
Laser IR Distance:	200m
Protective Cover	
Windows:	Double side double window design, infrared high efficiency optical glass, transmittance >98%
Wiper:	Support, using car wiper blades, good weather resistance, easy replacement
Automatic Temperature Control Range:	Built-in heating and cooling temperature control components, automatic opening and closing
PTZ Function	
TILT Range:	+90° ~ -90°
PAN Range:	0° ~ 360° endless
PAN Speed:	0.01~60° /S
TILT Speed:	0.01~30° /S
Preset Number:	200
Cruise Scan:	Support
Network	
Protocol:	TCP/IP, ICMP, HTTP, HTTPS, FTP, DHCP, DNS, DDNS, etc
RS485:	Pelco-D protocol, Baudrate 2400/4800/9600/19200 optional
Interoperability:	API, ONVIF Profile S/G, SDK
General	
Power Supply:	AC24V±25%, 50/60Hz; DC24V±10%; 150W
Ethernet:	1 port 10M/100M adaptive Ethernet port
Operating Conditions:	Working temperature: -40 °C ~ +65 °C, Humidity: <90% RH, Lightning protection surge: in line with GB/T17626.5 four-level standard, power supply 4000V, communication video signal 2000V Salt spray prevention: continuous spraying for 48 hours at pH 6.5-7.2, no change in surface Protection level: IP66
Weight:	≤ 18kg
Dimension:	380(L)x512(W)x316(H) mm

* Product specifications may change without prior notice.