

16ch 4K NVR KIT with 8pcs 8MP IP Dome Cameras KIT1608D8



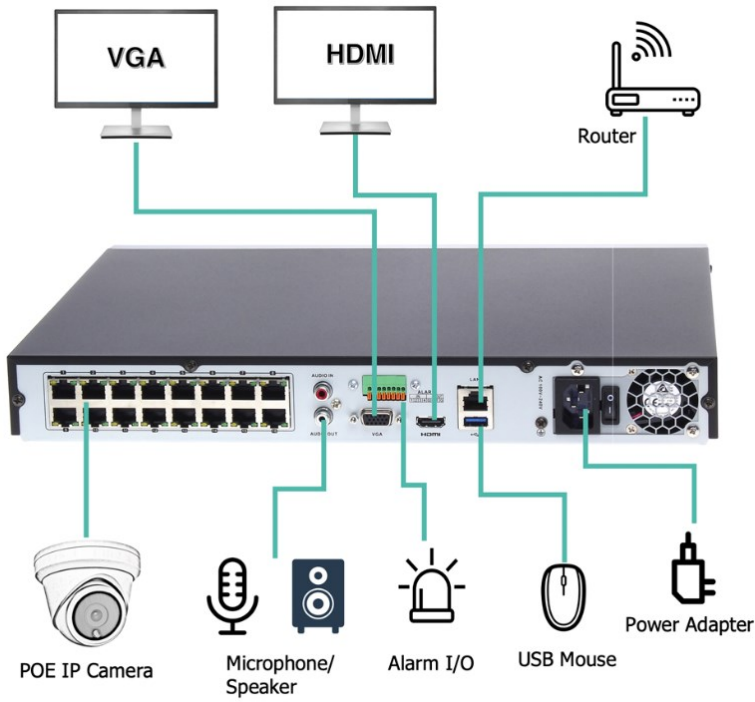
NVR Features

- 16ch Professional NVR with 16 POE ports (Expand up to 16 network cameras)
- Up to 8 Megapixels resolution recording and live viewing
- Industrial leading recording stability, protecting your home 7/24 hours
- Adopts the most advanced H.265+ video compression technology, saving max 83% storage space
- Plug-n-play with Hikvision/LTS/HINO IP cameras
- Compatible to ONVIF/AXIS/Samsung/Sony/Canon IP cameras
- Support 1-ch HDMI and 1-ch VGA independent display, up to 4K (3840x2160) resolution
- Support various VCA (Video Contents Analysis) detection alarm and VCA search
- Support dual-os to ensure high reliability of system running
- Smart search for the selected area in the video to dramatically improve the playback efficiency
- Free mobile APP and cloud access service
- Up to 2 SATA interfaces

Camera Features

- 8 Megapixel 1/2.8" CMOS Sensor
- Recording 15fps @ 8MP (3840x2160), or 30fps @ 6MP (3072x2048)
- Built-in Microphone (by default it is disabled)
- IP66 waterproof for outdoor application
- Up to 100ft IR distance, excellent view at low light environment
- Plug-n-play with NVR, no setup is required
- POE powered by NVR, no power adapter is required
- Metal housing
- Quick installation design, super convenient to mount, no professional skill is required

Connection Diagram



Mobile Access

Free Mobile App and Cloud Access

- Remote live monitoring
- Remote video playback
- Real-time event notification

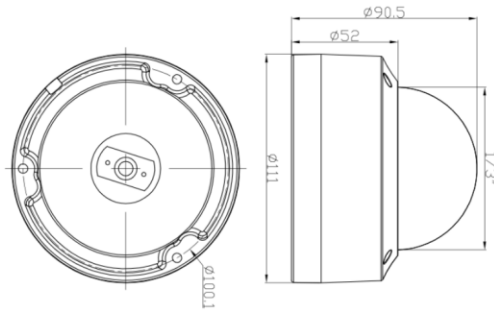
Download Mobile App:

- Guarding Vision
- Hik-Connect

IPC218A	Camera	
	Image Sensor	1/2.5" 8MP Sony IMX274 CMOS
	Effective Pixels	3864 (H) × 2202 (V) approx. 8.51M pixels
	Electronic Shutter	AUTO, AUTO, 1/25s ~ 1/100000s
	Min. Illumination	0.01Lux@F1.2(AGC ON), 0Lux IR on
	Day/Night	Auto/Color/(B/W)/Timing
	WDR	Digital WDR
	White Balance	Auto/Manual
	AGC/BLC	Support
	DNR	2D/3D DNR
	Other	AGC,2/3 DNR,Motion Detection, Privacy Mask, Mirror, Flip, Rotate, RIO,HLC,BLC, OSD overlay
	Encode	
	Embedded Solution	Hi3516A
	Video Standard	H.264/H.265
	Video Resolution	MainStream:15fps@8MP(3840x2160), 30fps@6MP(3072x2048),5MP(2592x1520),3MP/1080P/720P
	Video Bitrates	Sub stream: 720x480/VGA(640x480)/360P/QVGA@30fps
	Audio Standard	512Kbps - 12Mbps, VBR/CBR
	IR Led	
	IR Led	18pcs SMD IR Led, IR distance up to 100ft
	Lens	
	Focal length	3.6mm fixed lens
	Audio	
	Audio	Built-in Microphone
	Network Services	
	Protocol	HTTP/RTSP/FTP/NFS/SMP/DHCP/NTP/RTMP, etc.
	P2P	Yes
	Web	IE , Firefox (32bit ESR)
	3rd Party NVR supported	Hikvision, LTS, HINO
	ONVIF	Yes
	General	
	Network Port	1-RJ45, 100Mbps, POE
	Power Supply	12 VDC ± 10% / POE
	Power Consumption	< 5 W
Operating Temp.	-30°C-(+60)°C, 10%-90%RH	
Video/Audio Input		
Two-way audio input	1-ch, RCA (2.0 Vp-p, 1kΩ)	
IP video input	16-ch	
Network		
Incoming bandwidth	160Mbps	
Outgoing bandwidth	160Mbps	
Video/Audio Output		
HDMI Output	1-ch, resolution: 4K(3840*2160)/60Hz, 4K(3840*2160)/30Hz, 1920*1080P/60Hz, 1600*1200/60Hz, 1280*1024/60Hz, 1280*720/60Hz, 1024*768/60Hz	
Recording Resolution	8MP/6MP/5MP/4MP/3MP/1080p/UXGA/720p/VGA/4CIF/DCIF/2CIF/CIF/QCIF	
Audio Output	1-ch, RCA (Linear, 1kΩ)	
VGA Output	1-ch, resolution: 1920*1080P/60Hz, 1280*1024/60Hz, 1280*720/60Hz, 1024*768/60Hz	
Decoding		
Capability	8-ch@1080P	
Live view / Playback	8MP/6MP/5MP/3MP/1080p/UXGA/720p/VGA/4CIF/DCIF/2CIF/CIF/QCIF	
Hard Disk		
SATA	2 SATA interfaces for 2 HDDs	
Capacity	Up to 6TB capacity for each HDD	
External Interface		
Network Interface	1RJ-45 10/100/1000Mbps self-adaptive Ethernet interface	
USB Interface	2, USB2.0	
Alarm In	4-ch	
Alarm Out	1-ch	
POE		
Interface	16 independent 10 /100 Mbps PoE Ethernet interfaces	
General		
Power Supply	100 to 200 VAC	
Consumption(without hard disk and POE)	≤ 15 W	
Working Temperature	-10 °C ~ +55 °C (+14 °F ~ + 131 °F)	
Working Humidity	10 % ~ 90 %	
Chassis	385 mm chassis	
Dimensions	385 × 315× 52 mm (15.2" 12.4" 2.0")	
Weight(without HDD)	≤ 3 kg (6.6 lb)	
NVR516P16-K2		

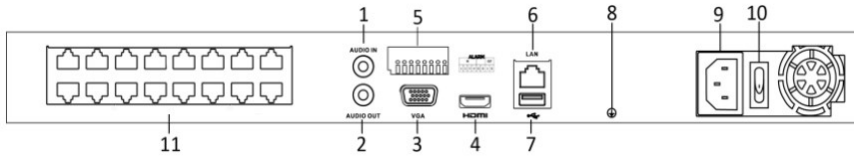
Dimension

IPC218A



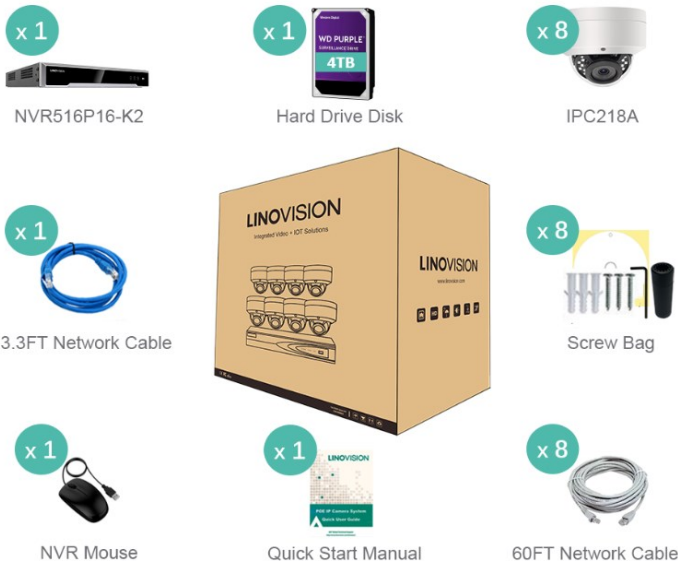
Physical Interfaces

NVR516P16-K2



Index	Description	Index	Description
1	AUDIO IN	7	USB 3.0 Interface.
2	AUDIO OUT	8	GND
3	VGA Interface	9	100 to 240 VAC power supply
4	HDMI Interface	10	Power Switch
5	Controller Port, Alarm In/Alarm Out	11	Network Interfaces with PoE function
6	LAN Network Interface		

Package Includes



Package includes

- 1 * NVR (NVR516P16-K2)
- 8 * IP Cameras (IPC218A)
- 1 * 4TB WD Purple Surveillance HDD
- 8 * 60ft Network Cables
- 1 * USB Mouse (in NVR box)
- 1 * 3.3FT Network Cable
- 1 * Quick Start Manual
- 4 * Screw Bag