

IPC7PT6

360° panoramic + PTZ multiple lens camera



Features

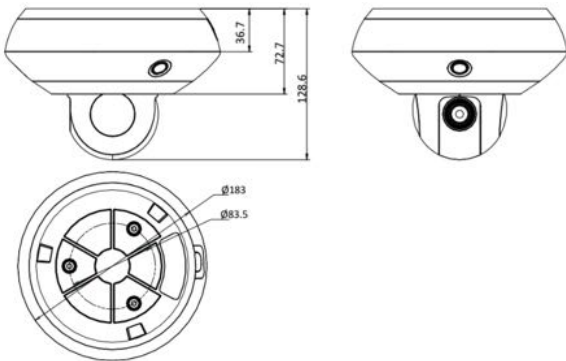
Panoramic Camera

- Three 1/2.8" progressive scan CMOS
- Up to 3 x 1920 x 1080 resolution @30fps
- Horizontal field of view: 130°
- Min. illumination: Color: 0.01 Lux@(F1.6, AGC ON), B/W: 0.05 Lux@(F1.6, AGC ON), 0 Lux with IR
- IR distance: 20m

Tracking PTZ Camera

- 1/2.8" progressive scan CMOS
- Up to 1920 x 1080 resolution @30fps
- Horizontal field of view: 119° , Horizontal field of view: 61°
- Min. illumination: Color: 0.01 Lux@(F1.6, AGC ON), B/W: 0.05 Lux@(F1.6, AGC ON), 0 Lux with IR
- 4x Optical Zoom, 16x Digital Zoom

Dimensions (mm)



Camera Module	IPC7PT6 (2.8-12mm)(2mm)
One-touch Link	Support
Panoramic Camera	
Image Sensor	Three 1/2.8" Progressive Scan CMOS
Min. Illumination	Color:0.01 Lux @(F1.6,AGC ON); B/W:0.05Lux @(F1.6,AGC ON)
Lens	2.0mm/ F1.6
IR	66ft
Field of View	Horizontal: 130°
3D DNR	Support
HLC	Support
Video Compression	H.265/H.264/MJPEG
Main Stream Resolution	16:9 50Hz: 25fps (1920×1080,1280×960,1280×720, 704×576,640×480,352×288) , 60Hz: 25fps(1920×1080,1280×960,1280×720, 704×480,640×480,352×240)
Basic Event Detection	Motion Detection, Video Tampering Detection
Smart Event Detection	Audio Exception Detection
Tracking PTZ Camera	
Image Sensor	1/2.8" Progressive Scan CMOS
Min. Illumination	Color: 0.01 Lux@(F1.6, AGC ON), B/W: 0.05 Lux@(F1.6, AGC ON), 0 Lux with IR
S/N Ratio	≥ 55 dB
3D DNR	Support
Smart Image Enhancement	Optical WDR, Digital Defog, HLC, Smart IR, EIS
Focal Length	2.8 to 12mm, 4x optical zoom
Min. Working Distance	10mm to 1500mm (Wide-Tele)
Aperture Range	F1.6
Pan and Tilt Range	Pan: 350°, Tilt: 0° to 90°
Pan and Tilt Speed	Pan Manual Speed: 0.1°/s to 30°/s (Configurable), Pan Preset Speed: 30°/s Tilt Manual Speed: 0.1°/s to 30°/s (Configurable), Tilt Preset Speed: 30°/s
Preset Number	300
Patrol	8 patrols, up to 32 presets per patrol
Pattern	4 patterns, with the recording time not less than 10 minutes per pattern
Park Action	Preset/ Pattern Scan/ Patrol Scan/ Auto Scan/ Tilt Scan/ Random Scan/ Frame Scan/Panorama Scan
Scheduled Task	Preset/ Pattern Scan/ Patrol Scan/ Auto Scan/ Tilt Scan/ Random Scan/ Frame Scan/Panorama Scan/ Dome Reboot/ Dome Adjust/ Aux Output
Power-off Memory	Support
3D Positioning	Support
Video Compression	H.265/H.264/MJPEG
Main Stream Resolution	16:9 50Hz: 25fps (1920×1080,1280×960,1280×720, 704×576,640×480,352×288) , 60Hz: 25fps(1920×1080,1280×960,1280×720, 704×480,640×480,352×240) ,
Network	
Audio Compression	G.711a/w/G.711u/w/G.722.1/G.726/MP2L2/PCM
Protocols	TCP/IP, IPv4/IPv6, HTTP, HTTPS, 802.1x, Qos, FTP, SMTP, UPnP, SNMP, DNS, DDNS, NTP,RTSP, RTCP, RTP, TCP, UDP, IGMP, ICMP, DHCP, PPPoE, Bonjour
API	Open-ended, support ONVIF, support HIKVISION SDK and Third-Party Management Platform
System Interface	
Network Interface	1 RJ45 10 M/100 M Ethernet Interface/PoE+
Audio Input/ Output	1-ch audio input and 1-ch audio output.
Storage	Built-in memory card slot, support Micro SD/SDHC/SDXC (up to 128GB)
General	
Power Supply	DC12V/PoE
Power Consumption	25 W Max.
Working Temperature	Indoor: 14°F to 122°F
Working Humidity	≤ 90%
Protection Level	IP54 Standard, TVS 4000V Lightning Protection, Surge Protection and Voltage Transient Protection
Dimension	128.6 mm × Φ183 mm (5.1" x 7.2")
Weight	0.93kg (2.05lbs)

* Product specifications may change without prior notice.

Order Model

IPC7PT6

IPC7PT6 Camera Details



Camera Live View

This multiple lens camera outputs 4 different views in 4 camera channels, one is PTZ detailed view, three are wide views. It acts like four cameras system plus one mini NVR.



YouTube Demo Video: https://youtu.be/a2bFXf_bSUY

Or Scan this QR code to view demo video



Applications

This camera is perfect for surveillance scenes that requires panoramic coverage and also detailed view on specific region, like Classroom, auditorium, Church, lobby hall, etc.

